

Accessories

For Pressure Gauges

Technical Data Sheet



Description

Accessories for pressure gauges.



AM

Pressure Dampener

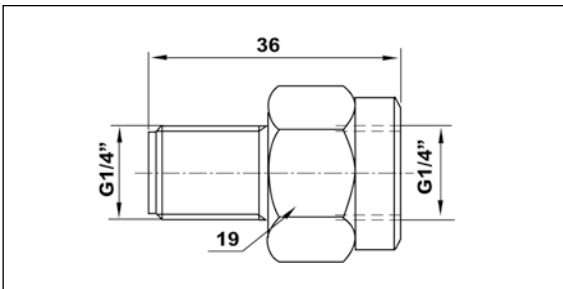
Part No.	Connection	Weight (kg)	Box / Master	Min. order
PZ010000	G1/4B	0.060	1/1	1
PZ020000	G3/8B	0.060	1/1	1
PZ030000	G1/2B	0.060	1/1	1

Features

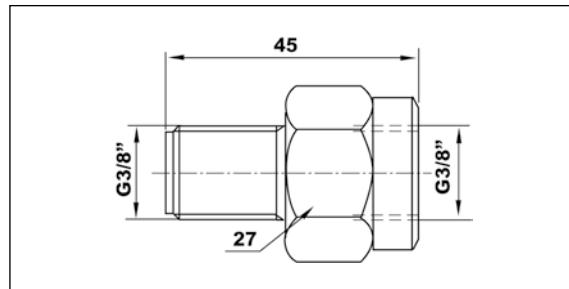
Materials	
Body	Cu-alloy
Thread Connection	Cu-alloy male-female

Overall dimensions (mm)

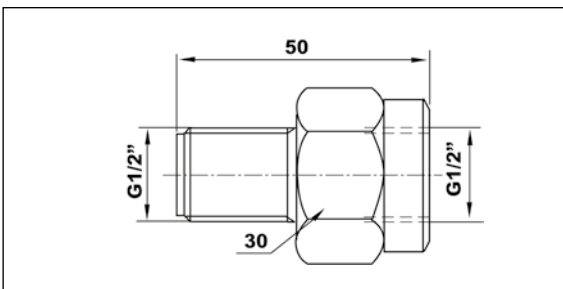
AM 1/4



AM 3/8



AM 1/2



403/RF

Ball valve with packing gland, inspection test flange with cap, and thermoplastic handle.



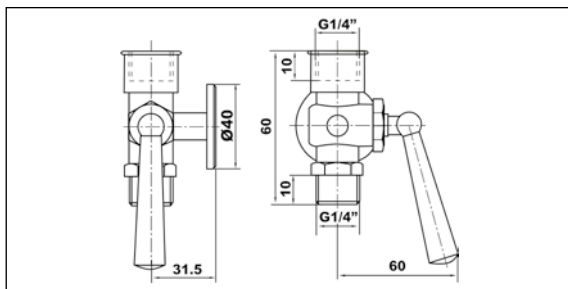
Part No.	Connection	Weight (kg)	Box / Master	Min. order
403R14MP	G1/4B	0,228	1/1	1
403R38MP	G3/8B	0,216	1/1	1
403R12MP	G1/2B	0,254	1/1	1

Features

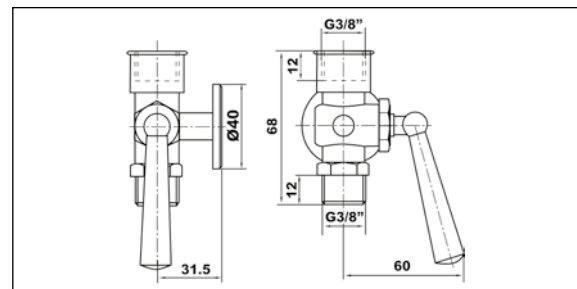
Materials	
Body	Cu-alloy, three-way
Thread connection	Cu-alloy male-female
Test flange	Cu-alloy, DN40
Handle	Thermoplastic
Technical features	
Directives	PED classification (Directive 2014/68/EU), Table 9, Article 4, Paragraph 3
Connections	Threads according to UNI EN ISO 228-1
Permitted fluids	Non-hazardous liquids (Group 2)
Temperature limits	Max. 65°C
Working pressure	PN 16 max

Overall dimensions (mm)

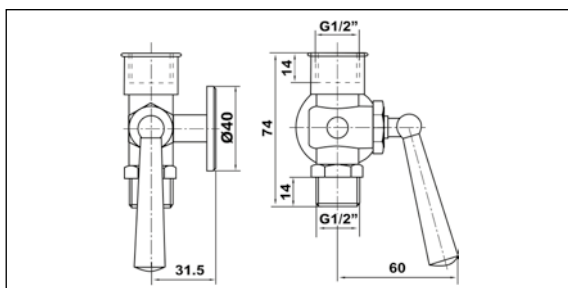
403/RF 1/4



403/RF 3/8



403/RF 1/2





RS

Ball valve.

Part No.	Connection	Weight (kg)	Box / Master	Min. order
PZ112000	G1/4B MF	0.130	1/1	1
PZ122000	G3/8B MF	0.140	1/1	1
PZ132000	G1/2B MF	0.150	1/1	1
0335015	G1/2B FF	0.150	1/1	1

Features

Materials

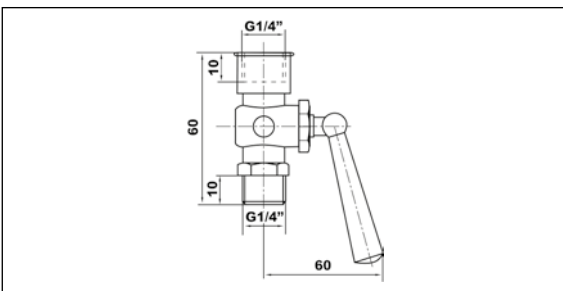
Body	Cu-alloy, two-way
Thread connection	Cu-alloy male-female MF - female-female FF

Technical features

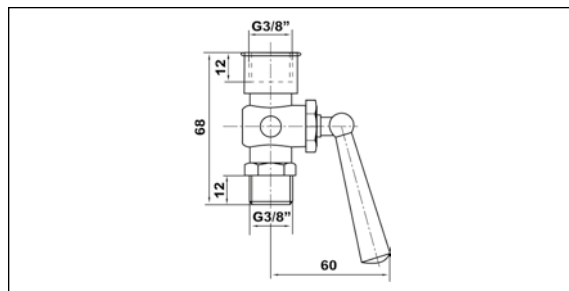
Temperature limits	Max. 80°C
Working pressure	PN 16 max

Overall dimensions (mm)

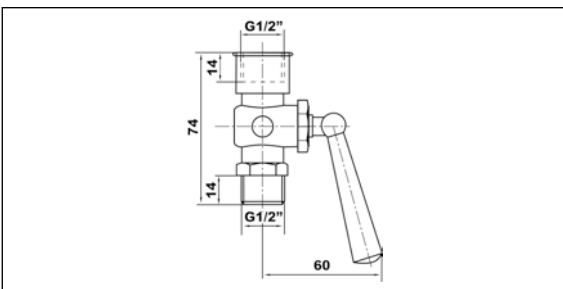
RS 1/4



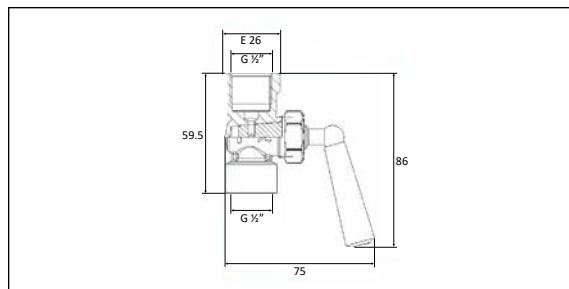
RS 3/8



RS 1/2



RS 1/2 FF





RFX

Stainless steel manual shut off valve with test flange.

Part No.	Connection	Weight (kg)	Box / Master	Min. order
PZ11010000	G1/4B	1.120	1/1	1
PZ12010000	G3/8B	1.120	1/1	1
PZ13010000	G1/2B	1.120	1/1	1

Features

Materials

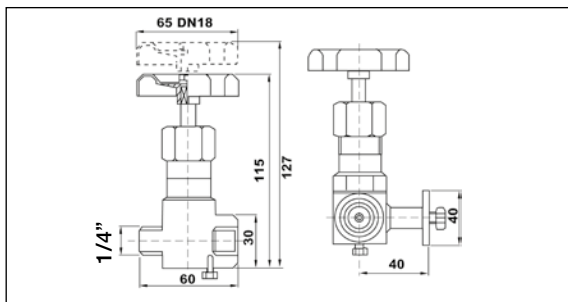
Body	Stainless steel AISI 316L, three-way
Thread connection	Stainless steel, male-female
Test flange	Stainless steel, DN40

Technical features

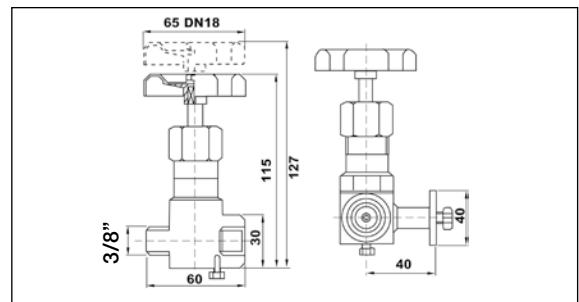
Temperature limits	Max. 220°C
Working pressure	PN 210 max

Overall dimensions (mm)

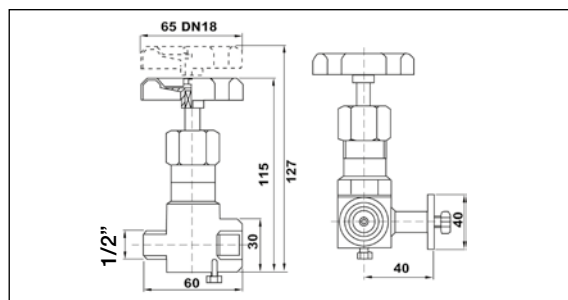
RFX 1/4



RFX 3/8



RFX 1/2



407D/SRN

Copper nickel-plated syphon (trumpet form).



Part No.	Connection	Weight (kg)	Box / Master	Min. order
407D14	G1/4B	0.090	1/1	1
407D38	G3/8B	0.090	1/1	1
407D12	G1/2B	0.090	1/1	1

Features

Materials

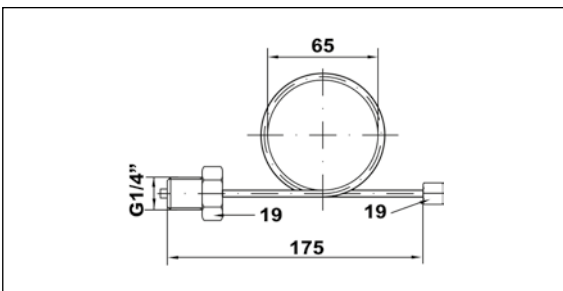
Tube	Copper, nickel-plated
Thread connection	Copper, nickel-plated, male-female

Technical features

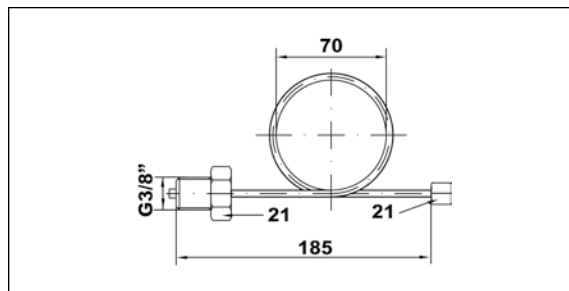
Temperature limits	Max. 120°C
Working pressure	PN 25 max

Overall dimensions (mm)

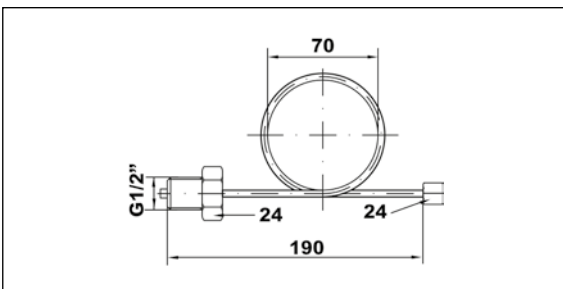
407D/SRN 1/4



407D/SRN 3/8



407D/SRN 1/2





SRX

Stainless steel syphon (trumpet form).

Part No.	Connection	Weight (kg)	Box / Master	Min. order
PZ141000000	G1/4B	1.011	1/1	1
PZ16100000	G1/2B	1.011	1/1	1

Features

Materials

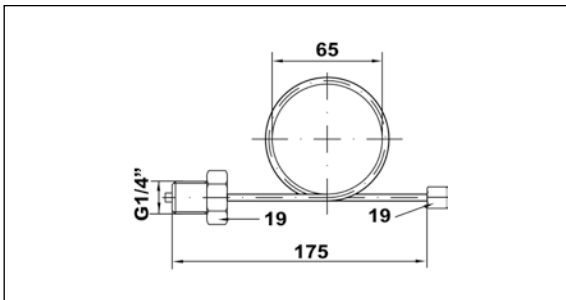
Tube	Stainless steel AISI316L
Thread connection	Stainless steel AISI 316L, male-female

Technical features

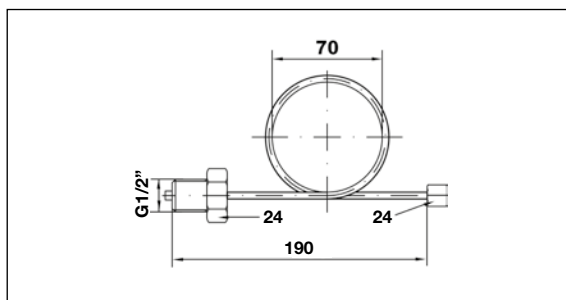
Temperature limits	Max. 200°C
Working pressure	PN 100 max

Overall dimensions (mm)

SRX 1/4



SRX 1/2





RP

Push button valve.

Part No.	Connection	Weight (kg)	Box / Master	Min. order
PZ111000	G1/4B	0.220	1/1	1
PZ121000	G3/8B	0.220	1/1	1
PZ131000	G1/2B	0.220	1/1	1

Features

Materials

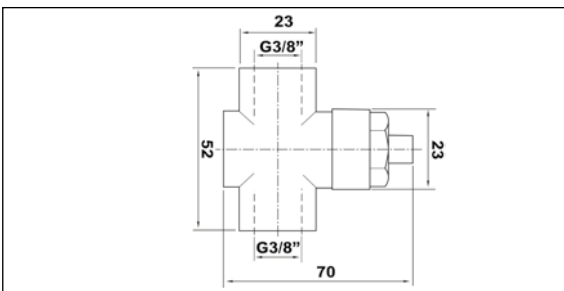
Body	Cu-alloy, nickel-plated with button for pressure release
Thread connection	Cu-alloy, nickel-plated, male-female

Technical features

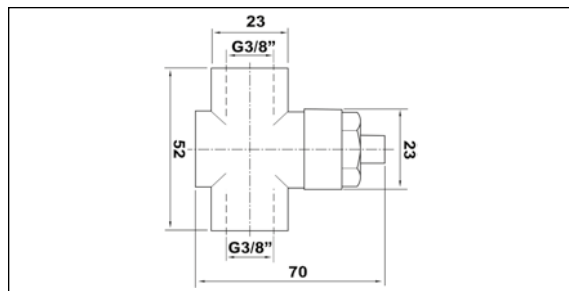
Temperature limits	Max. 80°C
Working pressure	PN 4 max

Overall dimensions (mm)

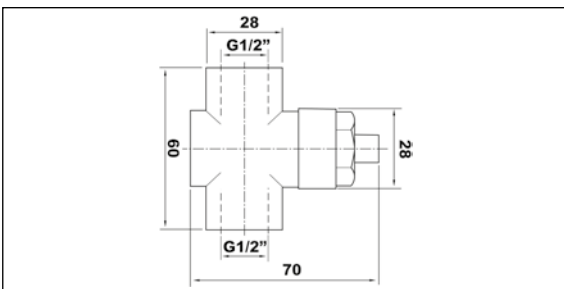
RP 1/4



RP 3/8



RP 1/2





VR

Automatic valve.

Part No.	Connection	Weight (kg)	Box / Master	Min. order
0329008	G1/4B x G1/4B	0.100	1/1	1
0329010	G3/8B x G3/8B	0.100	1/1	1
PZ04000D00	G1/2B x G1/4B	0.100	1/1	1
0329015	G1/2B x G1/2B	0.100	1/1	1

Features

Materials

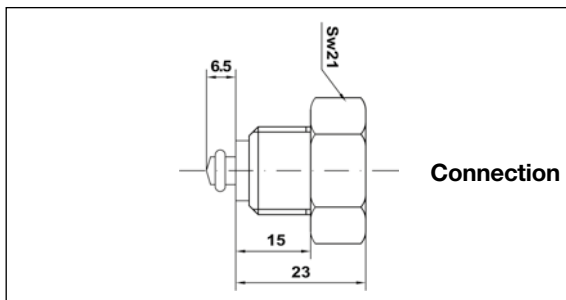
Body	Brass-polypropylene combination, 21 mm flats
Thread connection	Cu-alloy, with O-ring, male-female

Technical features

Temperature limits	Max. 120°C
Working pressure	PN 10 max

Overall dimensions (mm)

VR



S INOX 50/63

Mounting bracket for MG3A-INOX 50/63.



Type	Part No.	Weight (kg)	Box / Master	Min. order
S INOX 50	PZMINACC050	0.035	1/1	1
S INOX 63	PMINACC047	0.040	1/1	1

Features

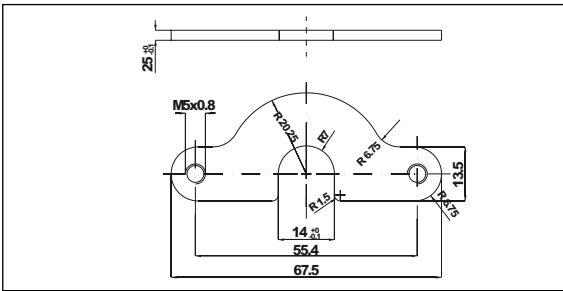
Materials

U-clamp and fixing screws

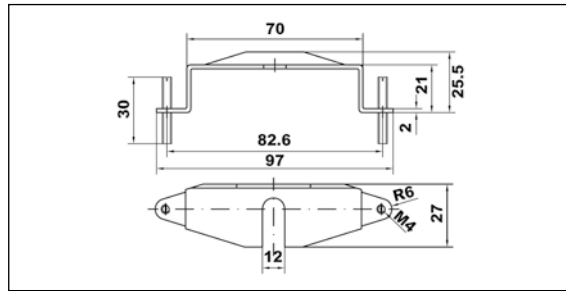
zinc-plated steel

Overall dimensions (mm)

S INOX 50



S INOX 63



S ABS 50/63

Mounting bracket for MG3A-ABS 50/63.



Type	Part No.	Weight (kg)	Box / Master	Min. order
S ABS 50	PMINACC048	0.040	1/1	1
S ABS 63	PMINACC047	0.040	1/1	1

Features

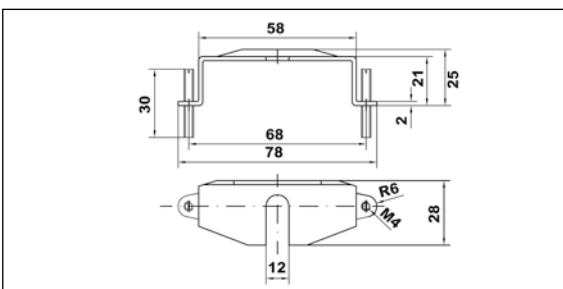
Materiali

U-clamp and fixing screws

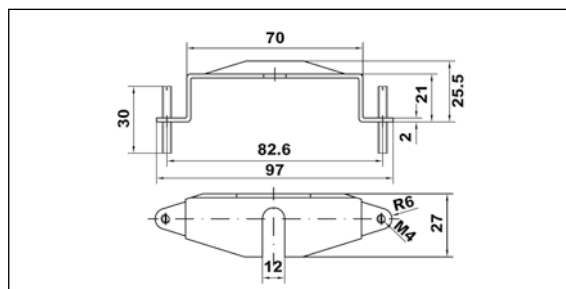
Zinc-plated steel

Overall dimensions (mm)

S ABS 50



S ABS 63





F ABS 63

3-hole front flange for MG3A-ABS 63.

Part No.	Weight (kg)	Box / Master	Min. order
PMINABS048	0.003	1/1	1

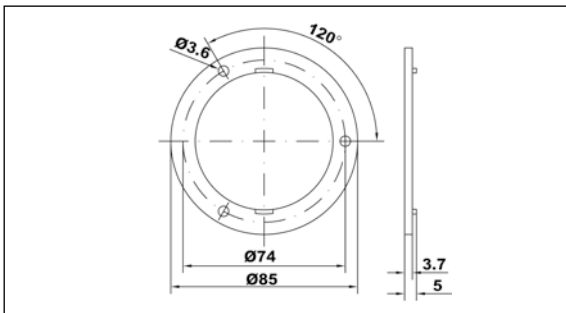
Features

Materials

Flange	Black plastic
--------	---------------

Overall dimensions (mm)

F ABS 63



CP

Protective rubber cap for gauges M1/M3A-ABS 63

Part No.	Connection	Weight (kg)	Box / Master	Min. order
PCUSGOM001	Bottom entry	0.060	1/1	1
PCUSGOM002	Centre back entry	0.060	1/1	1

Features

Materials

Materials	Black rubber
-----------	--------------



The descriptions and photographs contained in this product specification sheet are supplied by way of information only and are not binding.
Watts Industries reserves the right to carry out any technical and design improvements to its products without prior notice. Warranty: All sales and contracts for sale are expressly conditioned on the buyer's assent to Watts terms and conditions found on its website at www.watts.eu. Watts hereby objects to any term, different from or additional to Watts terms, contained in any buyer communication in any form, unless agreed to in a writing signed by an officer of Watts.



Watts Industries Italia S.r.l.
Via Brenno, 21 • 20853 Biassono (MB) • Italy
Tel. +39 039 4986.1
infowattitalia@wattswater.com • www.watts.eu