

Series W6000

Stainless Steel Three-Piece Ball Valve

Technical Data Sheet



Further
Information



Description

The W6000 Series stainless steel three-piece ball valve is engineered for isolation service in pipelines, with options for DIN/ISO welded or clamp connections. Supplied de-oiled and de-greased, this valve is well-suited for liquid cooling processes involving glycol-based coolants or other corrosive media, as well as a wide range of demanding industrial applications.

Size: DN15-DN100

Media: water, ≤50% ethylene glycol*

Features

- DIN / ISO welded and clamp connection options
- Low flow resistance and minimal operating torque
- Supplied de-oiled and de-greased
- Three-piece body design enables easy maintenance and servicing



Figure 1
W6000 SS Three-Piece Ball Valve -
Welding

Figure 2
W6000 SS Three-Piece Ball Valve -
Clamp

*Note: For usage with other media including oil or gas, please contact us.

Product Codes

Part	Type	DN/Size
SS clamp ball valve/3piece/DIN		
61010354	W6800	DN15
61010355	W6800	DN20
61010356	W6800	DN25
61010357	W6800	DN32
61010358	W6800	DN40
61010359	W6800	DN50
61012204	W6800	DN65
61012205	W6800	DN80
61012206	W6800	DN100
SS weldable ball valve/3piece/DIN		
61010348	W6600	DN15
61010349	W6600	DN20
61010350	W6600	DN25
61010351	W6600	DN32
61010352	W6600	DN40
61010353	W6600	DN50
61012195	W6600	DN65
61012196	W6600	DN80
61012197	W6600	DN100
SS weldable ball valve/3piece/ISO		
61010402	W6600	3/4"
61010403	W6600	1"
61010404	W6600	1 1/4"
61010405	W6600	1 1/2"
61010406	W6600	2"
61010407	W6600	2 1/2"
61012212	W6600	3"
61012213	W6600	3 1/2"
61012214	W6600	4"

Materials

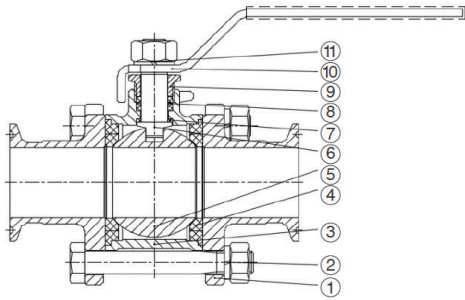


Figure 3: W6000 SS Three-Piece Ball Valve - Materials

No.	Part	Material
1	Bonnet	Stainless steel
2	Bolt, spring washer, nut	Stainless steel
3	Body	Stainless steel
4	Seat	PTFE
5	Ball	Stainless steel
6	Stem	Stainless steel
7	Washer	PTFE
8	Filler	PTFE
9	Gland	Stainless steel
10	Handle	Stainless steel
11	Nut, spring washer	Stainless steel

Technical Data

Pressure-Temperature

- Nominal pressure: PN16 (DN15-50), PN10 (DN65-100)
- Temperature range: -10°C-100°C
- Test standard: GB/T 13927 EN12266-1
- Connection standard:
 - Welding: DIN 11850 / ISO 2037
 - Clamp: DIN 32676 / ISO 2852

Installation Dimensions

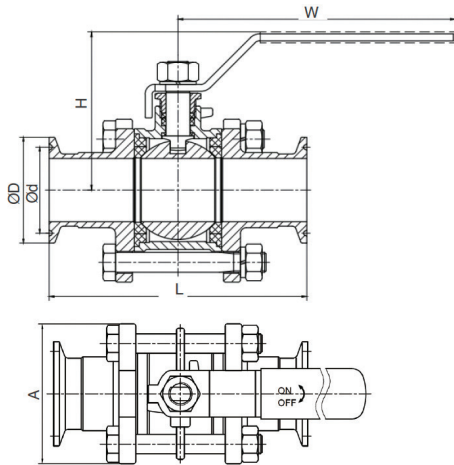


Figure 4: W6000 SS Three-Piece Ball Valve - DIN Clamp

DIN Clamp - W6800

DN	ØD	Ød	L	H	A	W
DN15	50.5	43.5	97	54.5	48	86
DN20	50.5	43.5	108	63.5	55	96
DN25	50.5	43.5	113.5	75.5	60	120
DN32	50.5	43.5	124.5	82	72	128
DN40	50.5	43.5	140	90	80	155
DN50	64	56.5	154.5	98	91	175
DN65	91	83.5	180	119	117	219
DN80	106	97	206.5	131	137	229
DN100	119	110	250	177	172	290

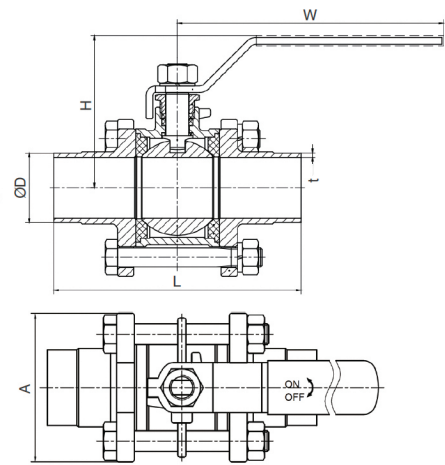


Figure 5: W6000 SS Three-Piece Ball Valve - DIN Welding

DIN Welding - W6600

DN	ØD	t	L	H	A	W
DN15	19	1.5	70	54.5	48	86
DN20	23	1.5	79	63.5	55	96
DN25	29	1.5	89.5	75.5	60	120
DN32	35	1.5	97.8	82	72	128
DN40	41	1.5	111	90	80	155
DN50	53	1.5	136.5	98	91	175
DN65	70	2.0	181	118.5	117	219
DN80	85	2.0	204	130.5	137	229
DN100	104	2.0	260.5	176.5	172	289.5

Installation Dimensions

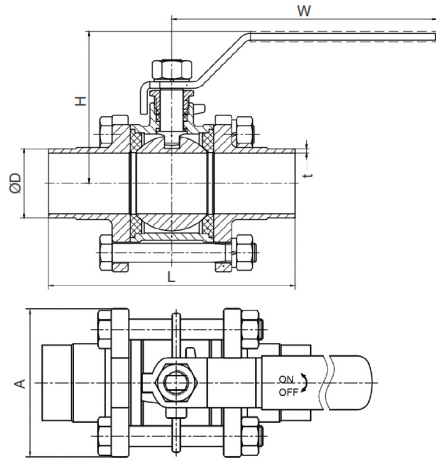


Figure 6: W6000 SS Three-Piece Ball Valve – ISO Welding

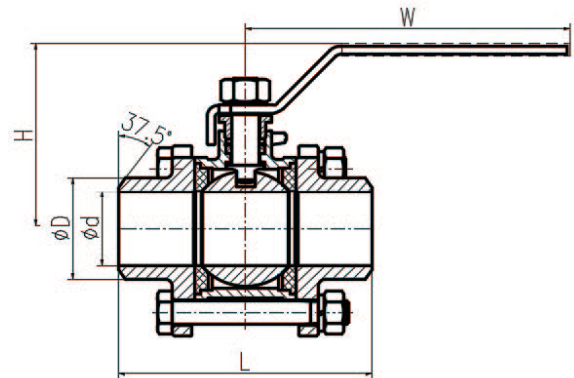


Figure 7: W6000 SS Three-Piece Ball Valve - Butt Welding

ISO Welding - W6600

Size	ØD	t	L	H	A	W
3/4	19.05	1.5	70	54.5	49	86
1	25.4	1.5	80	58.5	56	113
1 1/4	31.8	1.5	90	64	60	127.5
1 1/2	38.1	1.5	97.8	82	68	128
2	50.8	1.5	112	86.5	80	163
2 1/2	63.5	1.5	138	94.25	91	174.5
3	76.2	2.0	181	118.5	117	219
3 1/2	88.9	2.0	204	130.5	137	229
4	101.6	2.0	260.5	176.5	172	289.5

Butt Welding W6600

DN	ØD	Ød	L	H	A	W
DN15	22	14.5	72	51	49	106
DN20	27	19	80	59	56	113
DN25	32	24	90	64	60	127.5
DN32	39.5	31	102	73	68	144
DN40	47	39	112	86.5	80	163
DN50	57	49	138	94.25	91	174.5
DN65	75.5	66	182.5	118.5	117	219
DN80	91	79	205	130.5	137	229
DN100	110	98	260.5	176.5	172	289.5

The descriptions and photographs contained in this product specification sheet are supplied by way of information only and are not binding.

Watts Industries reserves the right to carry out any technical and design improvements to its products without prior notice. Warranty: All sales and contracts for sale are expressly conditioned on the buyer's assent to Watts terms and conditions found on its website at www.wattswater.eu. Watts hereby objects to any term, different from or additional to Watts terms, contained in any buyer communication in any form, unless agreed to in a writing signed by an officer of Watts.



For Orders & Enquiries
 Contact our Solutions & Mega Projects Team
 at megateam@wattswater.com
 or scan QR for further product details.



Watts Benelux

Beernemsteenweg 77A • 8750 Wingene • België
 Bezoekadres NL: Kollergang 14 • 6961 LZ Eerbeek • Nederland
 Tel. BE +32 51 65 87 08 • Tel. NL +31 313 673 700
benelux@wattswater.com • www.watts.com