

# Series W7000

Stainless Steel Butterfly Valve

## Technical Data Sheet



Further  
Information

**WATTS**<sup>®</sup>

## Description

The W7000 Series stainless steel butterfly valve is engineered for isolation service in pipelines, with options for DIN/ISO welded or clamp connections. De-oiled and de-greased, this valve is ideal for liquid cooling processes using glycol-based coolants or other corrosive media, as well as other demanding industrial applications.

**Size:** DN15-DN200

**Media:** water, ≤50% ethylene glycol\*

### Features

- DIN / ISO welded and clamp connection options
- Low flow resistance and minimal operating torque
- Supplied de-oiled and de-greased
- 3-piece body design enables easy maintenance and servicing

\*Note: For usage with other media including oil or gas, please contact us.



Figure 1  
W7000 SS Butterfly Valve - Welding



Figure 2  
W7000 SS Butterfly Valve - Clamp

## Product Codes

Part	Type	DN/Size
<b>SS weldable butterfly valve DIN</b>		
61100921	W7600	DN15
61100922	W7600	DN20
61100923	W7600	DN25
61100924	W7600	DN32
61100925	W7600	DN40
61100926	W7600	DN50
61100927	W7600	DN65
61100928	W7600	DN80
61100929	W7600	DN100
61100930	W7600	DN125
61100931	W7600	DN150
61100932	W7600	DN200
<b>SS weldable butterfly valve ISO</b>		
61100933	W7600	1"
61100934	W7600	1 1/4"
61100935	W7600	1 1/2"
61100936	W7600	2"
61100937	W7600	2 1/2"
61100938	W7600	3"
61100939	W7600	3 1/2"
61100940	W7600	4"
61100964	W7600	4 1/2"
<b>SS clamp butterfly valve DIN</b>		
61100941	W7800	DN15
61100942	W7800	DN20
61100943	W7800	DN25
61100944	W7800	DN32
61100945	W7800	DN40
61100946	W7800	DN50
61100947	W7800	DN65
61100948	W7800	DN80
61100949	W7800	DN100
61100950	W7800	DN125
61100951	W7800	DN150
61100952	W7800	DN200

Part	Type	DN/Size
<b>SS clamp butterfly valve ISO</b>		
61100953	W7800	1"
61100954	W7800	1 1/4"
61100955	W7800	1 1/2"
61100956	W7800	2"
61100957	W7800	2 1/2"
61100958	W7800	3"
61100959	W7800	3 1/2"
61100960	W7800	4"
61101014	W7800	4 1/2"
61102551	W7600	4 1/4"
<b>SS weldable butterfly valve/3 piece DIN</b>		
61102539	W7300	DN15
61102540	W7300	DN20
61102541	W7300	DN25
61102542	W7300	DN32
61102543	W7300	DN40
61102544	W7300	DN50
61102545	W7300	DN65
61102546	W7300	DN80
61102547	W7300	DN100
61102548	W7300	DN125
61102549	W7300	DN150
61102550	W7300	DN200
<b>SS weldable butterfly valve/3piece ISO</b>		
61101765	W7300	4"
61103067	W7300	5"
61101832	W7300	5 1/4"
61101833	W7300	6 1/4"

## Materials

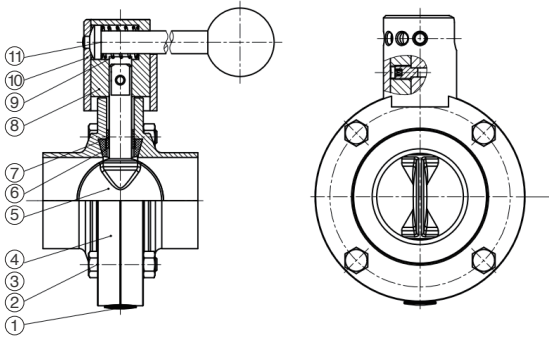


Figure 3: W7000 SS Butterfly Valve - Materials

No.	Part	Material
1	Dust Cover	PP
2	Bolt	Stainless steel
3	Nut	Stainless steel
4	Body	Stainless steel
5	Disc	Stainless steel
6	Seat	EPDM
7	Bushing	PVDF
8	Rotator	Stainless steel
9	Spring	Stainless steel
10	Sleeve	Stainless steel
11	Handle	Stainless steel

## Technical Data

### Pressure-Temperature

- Nominal pressure: PN10
- Temperature range: -10°C-100°C
- Test standard: GB/T 13927 EN12266-1
- Suitable media: Water, ≤50% ethylene glycol

- Connection standard:
  - Welding: DIN 11850 / ISO 2037
  - Clamp: DIN 32676 / ISO 2852

## Installation Dimensions

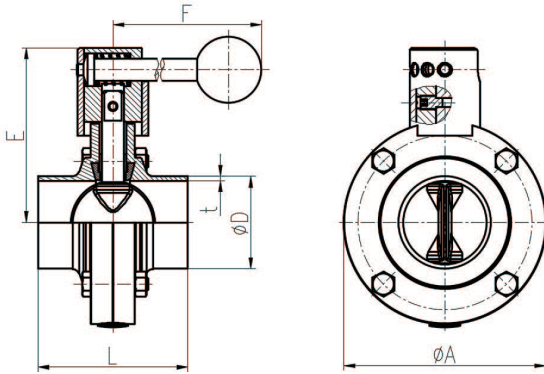


Figure 4: W7000 SS Butterfly Valve – DIN Welding

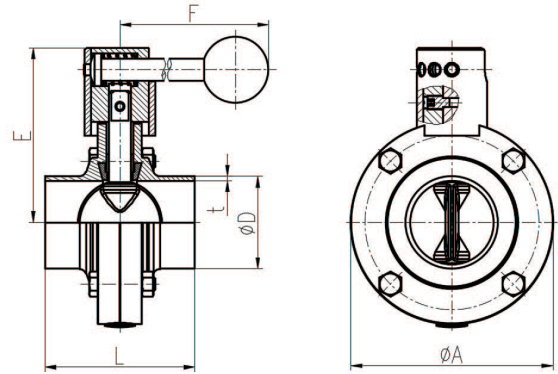


Figure 4: W7000 SS Butterfly Valve – ISO Welding

### DIN Welding - W7600

DN	ØD	t	E	F	L	ØA
DN15	19	1.5	69	125	44	69
DN20	23	1.5	69	125	44	69
DN25	29	1.5	69	125	44	69
DN32	35	1.5	73	125	44	76
DN40	41	1.5	76	125	48	82
DN50	53	1.5	84	125	48	98
DN65	70	2	94	125	50	118
DN80	85	2	102	160	56	134
DN100	104	2	112	160	60	155
DN125	129	2	130	180	70	185
DN150	154	2	145	190	80	217
DN200	204	2	197	295	80	284

### ISO Welding - W7600

Size	ØD	t	E	F	L	ØA
3/4	19.05	1.5	69	125	44	69
1	25.4	1.5	69	125	44	69
1 1/4	31.8	1.5	73	125	44	76
1 1/2	38.1	1.5	76	125	44	82
2	50.8	1.5	84	125	50	98
2 1/2	63.5	2	91	125	50	113
3	76.2	2	97	160	56	125
3 1/2	88.9	2	102	160	56	134
4	101.6	2	112	160	60	155
4 1/4	108	2	112	160	60	155
4 1/2	114.3	2	112	160	60	155
5	127	2	130	180	70	185

# Installation Dimensions

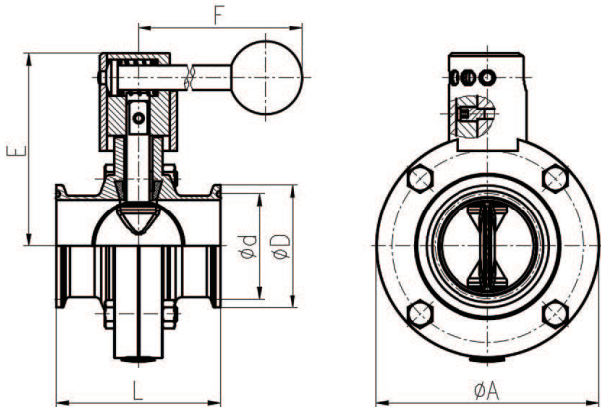


Figure 6: W7000 SS Butterfly Valve - DIN Clamp

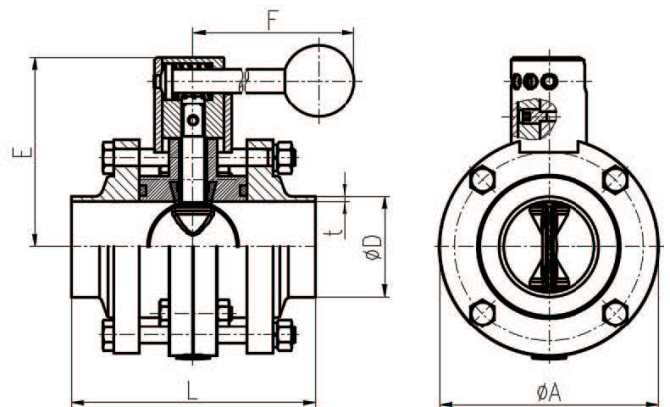


Figure 7: W7000 SS Butterfly Valve - DIN Welding 3 piece

## DIN Clamp - W7600

DN	ØD	Ød	E	F	L	ØA
DN15	34	27.5	69	125	66	69
DN20	34	27.5	69	125	66	69
DN25	50.5	43.5	69	125	66	69
DN32	50.5	43.5	73	125	66	76
DN40	50.5	43.5	76	125	68	82
DN50	64	56.5	84	125	70	98
DN65	91	83.5	94	125	70	118
DN80	106	97	102	160	90	134
DN100	119	110	112	160	94	155
DN125	144.5*	134.5	130	180	100	185
DN150	183	174	145	190	100	217
DN200	233.5	225	197	295	100	284

## DIN Welding - 3 Piece - W7600

DN	ØD	Ød	E	F	L	ØA
DN15	19	1.5	69	125	88	69
DN20	23	1.5	69	125	88	69
DN25	29	1.5	69	125	88	69
DN32	35	1.5	73	125	88	76
DN40	41	1.5	76	125	92	82
DN50	53	1.5	84	125	92	98
DN65	70	2	91	125	94	113
DN80	85	2	102	160	105	134
DN100	104	2	112	160	105	155
DN125	129	2	130	180	121	185
DN150	154	2	145	190	121	217
DN200	204	2	197	295	121	284

The descriptions and photographs contained in this product specification sheet are supplied by way of information only and are not binding.

Watts Industries reserves the right to carry out any technical and design improvements to its products without prior notice. Warranty: All sales and contracts for sale are expressly conditioned on the buyer's assent to Watts terms and conditions found on its website at [www.wattswater.eu](http://www.wattswater.eu). Watts hereby objects to any term, different from or additional to Watts terms, contained in any buyer communication in any form, unless agreed to in a writing signed by an officer of Watts.



**For Orders & Enquiries**  
 Contact our Solutions & Mega Projects Team  
 at [megateam@wattswater.com](mailto:megateam@wattswater.com)  
 or scan QR for further product details.



**Watts Benelux**

Beernemsteenweg 77A • 8750 Wingene • België  
 Bezoekadres NL: Kollergang 14 • 6961 LZ Eerbeek • Nederland  
 Tel. BE +32 51 65 87 08 • Tel. NL +31 313 673 700  
[benelux@wattswater.com](mailto:benelux@wattswater.com) • [www.watts.com](http://www.watts.com)